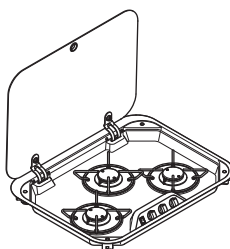
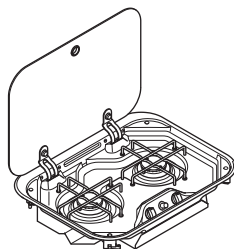


↗ DOMETIC

HOT AND COOKING HOBS AND COMBINATIONS



PI8022, PI8023

EN

Cooktops and combinations

Installation and Operating Manual

© 2021 Dometic Group. The visual appearance of the contents of this manual is protected by copyright and design law. The underlying technical design and the products contained herein may be protected by design, patent or be patent pending. The trademarks mentioned in this manual belong to Dometic Sweden AB. All rights are reserved.

Please read these instructions carefully and follow all instructions, guidelines, and warnings included in this product manual in order to ensure that you install, use, and maintain the product properly at all times. These instructions **MUST** stay with this product.

By using the product, you hereby confirm that you have read all instructions, guidelines, and warnings carefully and that you understand and agree to abide by the terms and conditions as set forth herein. You agree to use this product only for the intended purpose and application and in accordance with the instructions, guidelines, and warnings as set forth in this product manual as well as in accordance with all applicable laws and regulations. A failure to read and follow the instructions and warnings set forth herein may result in an injury to yourself and others, damage to your product or damage to other property in the vicinity. This product manual, including the instructions, guidelines, and warnings, and related documentation, may be subject to changes and updates. For up-to-date product information, please visit dometic.com.

Contents

1	Description of symbols	3
2	General safety instructions	4
3	Scope of delivery	7
4	Intended use	7
5	Technical description	8
6	Installing the device	10
7	Using the device	15
8	Cleaning the device	17
9	Maintaining the device	18
10	Troubleshooting	20
11	Warranty	22
12	Disposal	23
13	Technical data	23

1 Description of symbols



WARNING!

Safety instruction: Indicates a hazardous situation that, if not avoided, could result in death or serious injury.



CAUTION!

Safety instruction: Indicates a hazardous situation that, if not avoided, could result in minor or moderate injury.

**NOTICE!**

Indicates a situation that, if not avoided, can result in property damage.

**NOTE**

Supplementary information for operating the product.

2 General safety instructions

The manufacturer accepts no liability for damage in the following cases:

- Faulty assembly or connection
- Damage to the product resulting from mechanical influences
- Alterations to the product without express permission from the manufacturer
- Use for purposes other than those described in the operating manual

2.1 General safety

**WARNING!**

- This device must only be repaired by qualified personnel. Improper repairs can result in considerable danger or damage to the device.
- DO NOT MODIFY THIS DEVICE.
- Observe the gas category and the allowed gas given in chapter “Technical data” on page 23. Do **not** use any other fuels.
- Keep a suitable fire extinguisher in the immediate vicinity. Ensure that the fire extinguisher is checked by a specialist in regular intervals.
- DO NOT SPRAY AEROSOLS IN THE VICINITY OF THIS DEVICE WHILE IT IS IN OPERATION.
- DO NOT USE OR STORE FLAMMABLE MATERIALS IN OR NEAR THIS DEVICE.
- DO NOT USE AN UNLINED MASONRY CHIMNEY AS THE FLUE FOR THIS DEVICE.
- Prior to installation, ensure that the local distribution conditions (nature of the gas and gas pressure) and the adjustment of the device are compatible.
- The adjustment conditions for this device are stated on the label.
- DO NOT PLACE ARTICLES ON OR AGAINST THIS DEVICE.

- This device is not connected to a combustion products evacuation device. It shall be installed and connected in accordance with AS/NZS 5601 and all other relevant national and local regulations. Particular attention shall be given to the relevant requirements regarding ventilation.

**CAUTION!**

- In case of safety glass cover breakage:
 - Shut off immediately all burners and any electrical heating element and isolate the device from the power supply.
 - Do not touch the device surface.
- Do not use the device.

2.2 Safety when operating with gas

**WARNING!**

- Keep flammable substances away from heating and cooking devices, and other light and heat sources.
- **Suffocation hazard!**
Before switching on the device, ensure that the area is sufficiently ventilated. During operation, there must be air vents with a cross-section of at least 150 cm² in the installation space. These vents can be closed, but must be kept open when the device is operating (see sign located above the device).
- **Only** operate the device at the pressure specified on the type plate. Only use pressure regulators with a fixed setting that comply with the national regulations.
- Compare the pressure information on the type plate with the pressure information on the propane or butane gas cylinder.
- If you smell gas:
 - Open all windows and leave the room.
 - Do not operate any electrical devices or switches, and avoid using open flames that can ignite the gas.
 - Close the valve on the gas cylinder and keep it closed until the fault has been rectified.
 - Never attempt to find a gas leak with an open flame.
- For countries which are not mentioned in chapter “Technical data” on page 23 (country symbol) refer to national regulations. If necessary the device must be modified according to these national regulations.

2.3 Operating the device safely



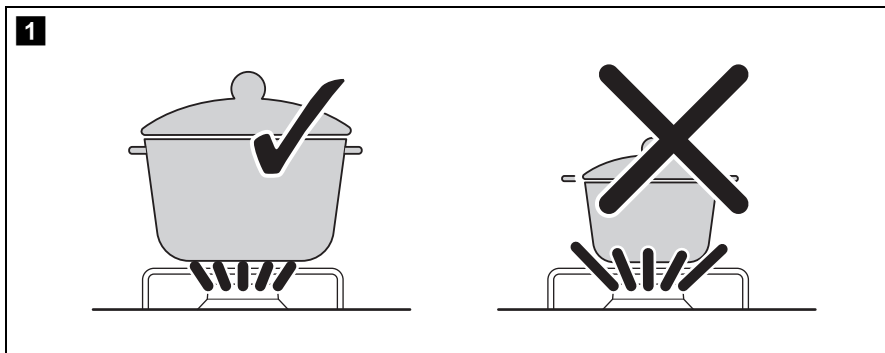
WARNING!

- Use the integrated igniter (if available) or long matches or a suitable lighter. The complete ignition process must be visible from above and must not be hidden by pots placed on the stove. Remove your hand quickly as soon as the burner ignites.
- Wear suitable clothing when operating the device. Do not wear loose fitting clothing which might catch fire.
- Do not use the device to heat the room.
- Never operate the device
 - at petrol stations
 - on ferry boats
 - while transporting the camper van, caravan or motor caravan with a transport vehicle or tow truck
- Do not spray aerosols in the vicinity of this device while it is in operation.



CAUTION!

- Let the device cool down to ambient temperature before you touch it with bare hands.
- Keep the area surrounding the device free of grease, fat, alcoholic substances, plastics and flammable cloths (for example, curtains, towels, kitchen utensils).
- Only use pots and pans with an even base and a diameter no larger than the grids on the device. The pots and pans must be large enough to cover the flame. If the flames are not covered, items of clothing could catch fire.



- When cooking, ensure that pans and pots are firmly set down.

- Never allow pot handles to extend beyond the edge of the device. Turn pot handles inward, but not extending over other burners. This will minimize the risk of spillage, ignition of flammable materials and/or serious burns.
- Be careful when heating grease or oil. Grease and oil catch fire when exposed to intense heat.
- Use only dry pot holders to prevent the formation of steam. Do not use towels or similar items instead of pot holders, as these can catch fire.
- Only operate the device when you or another person can attend to it. Pots boiling over can cause smoke and fires.
- Turn off the device before removing the pot or pan.
- **Risk of breakage!**
If available close the glass cover before beginning a journey. Open the glass cover before igniting the burner.

3 Scope of delivery

- Cooktop PI8022, PI8023
- Fastening screws (depending on the model)
- Installation and operating manual

4 Intended use

The liquefied gas cooktops in the following model series are intended for installation in a kitchen or worktop in caravans and motor caravans. They are **not** suitable for boat or marine usage.

The model series covered by this manual are:

- PI8022
- PI8023

The devices must only be used for cooking food. The device must **not** be used as a space heater.

This device shall be installed in accordance with the regulations in force and only used in a well ventilated space. Read the instructions before installing or using this device.

This product is only suitable for the intended purpose and application in accordance with these instructions.

This manual provides information that is necessary for proper installation and/or operation of the product. Poor installation and/or improper operating or maintenance will result in unsatisfactory performance and a possible failure.

The manufacturer accepts no liability for any injury or damage to the product resulting from:

- Incorrect assembly or connection, including excess voltage
- Incorrect maintenance or use of spare parts other than original spare parts provided by the manufacturer
- Alterations to the product without express permission from the manufacturer
- Use for purposes other than those described in this manual

Dometic reserves the right to change product appearance and product specifications.

5 Technical description

5.1 Function

The device is equipped with an automatic flame monitoring device which automatically interrupts the gas supply after approx. 20 seconds if the flame goes out.

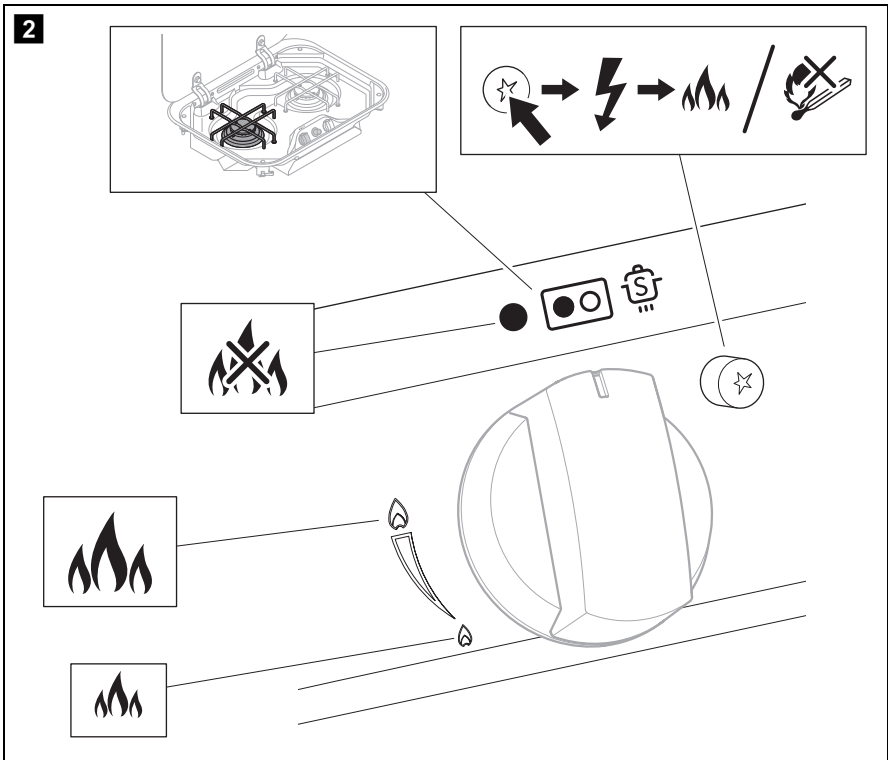
5.2 Specifications for the different models

The devices are available in different versions:

- **PI8022:** Cooktop with two to three burners and safety glass cover
- **PI8023:** Cooktop with three burners and safety glass cover

The safety glass cover can be used as a work surface when it is closed.

5.3 Control panel



Icon in fig. 2	Explanation
	Button for spark ignition
	Push button for spark ignition
	Low flame
	High flame

6 Installing the device



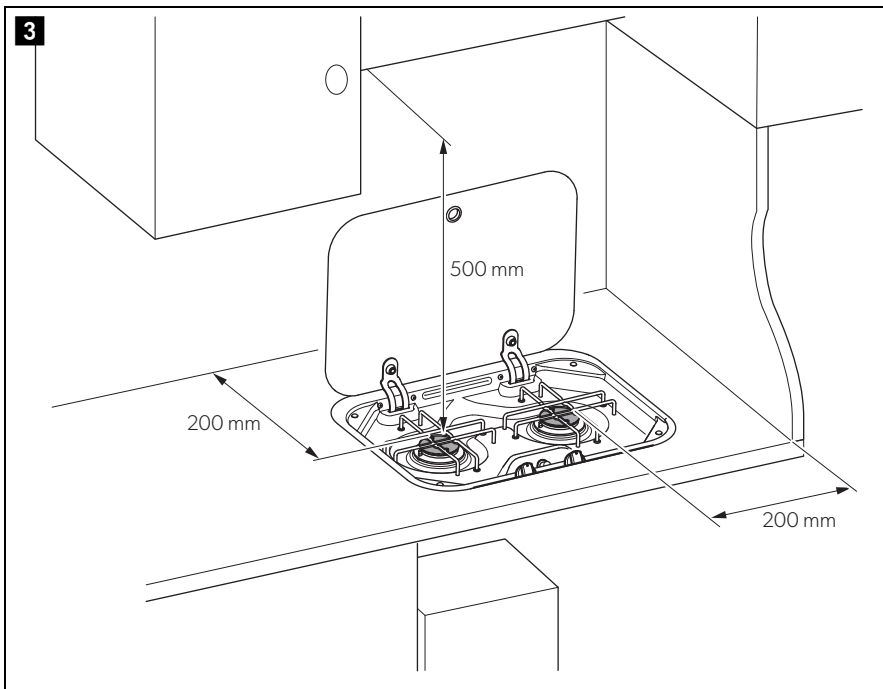
WARNING!

Assembly and installation of the device must only be carried out by licensed gasfitters. Incorrect assembly and installation can result in serious hazards due to the escape of gas.

6.1 Selecting the installation location

When selecting the installation location, observe the following instructions:

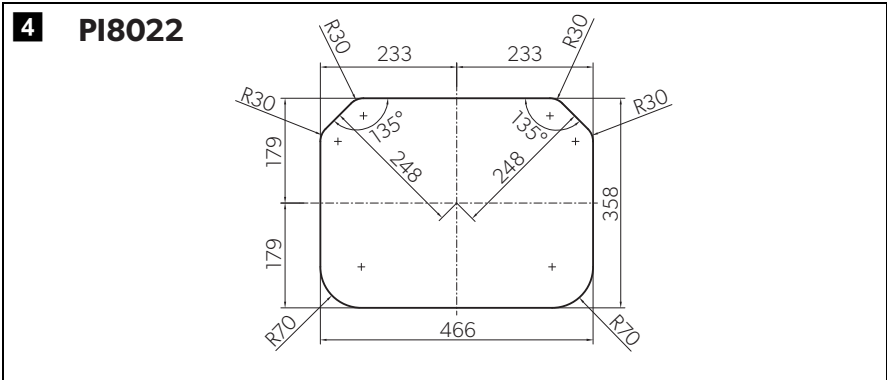
- Make sure that minimum distances (fig. **3**) are observed.



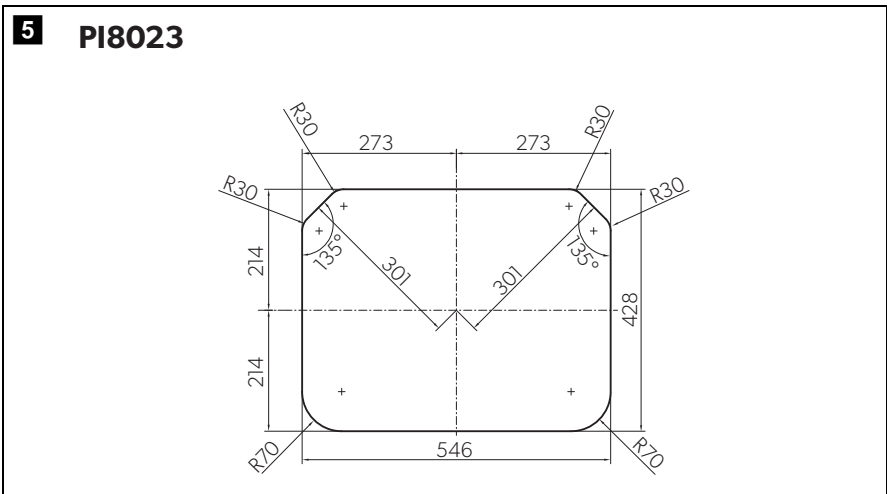
- Ensure that there are no drafts at the installation location.

6.2 Installing the device

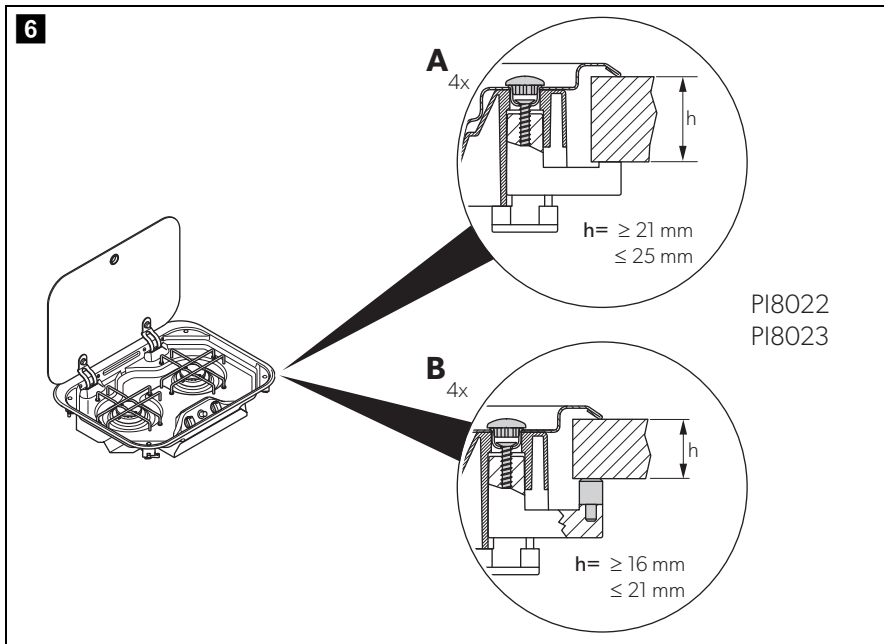
- ▶ Create a cutout according to the installation drawing:
 - PI8022: fig. **4**



- PI8023: fig. **5**



- Affix the device to the worktop using the screws (fig. **6**).



6.3 Connecting the device to the gas supply



WARNING! Beware of injury!

Only use propane or butane gas cylinders with a certified pressure reduction valve and suitable head. Compare the pressure information on the type plate with the pressure information on the propane or butane gas cylinder.

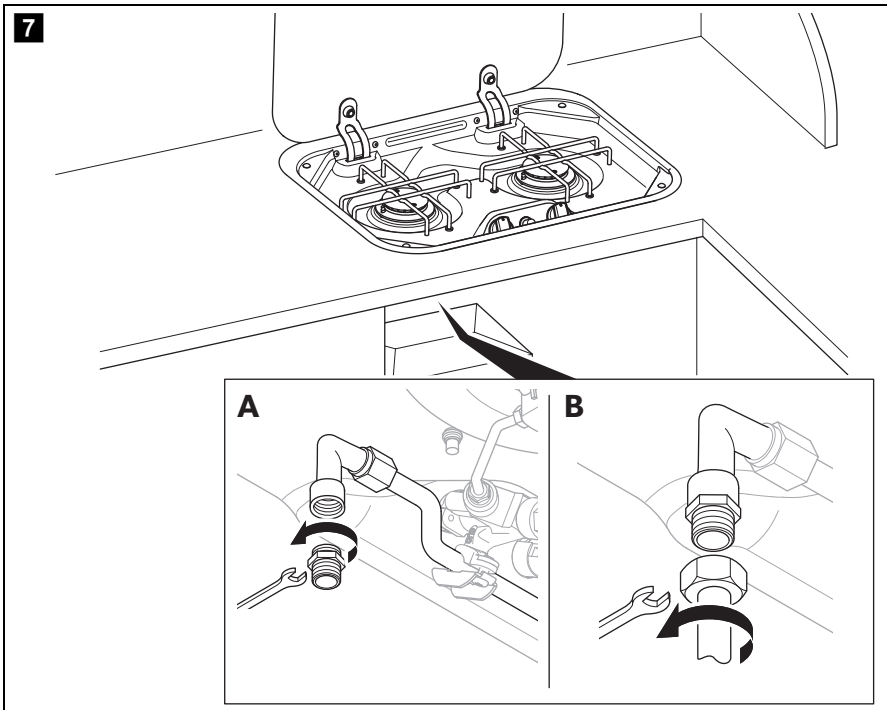
You must use a rigid gas line for the connection.

Observe the following instructions for the connection:

- Observe the national requirements.
- Use only rigid metal pipe $\text{Ø}8 \times 1 \text{ mm}$.
- Fasten the gas line to the side or rear wall of the surrounding furniture parts so that no loads are placed on the actuators.
- The entire gas line must be free of stress.

- ▶ Connect the pipes as shown (fig. **7**).

The connection of the gas pipe to the appliance (1/4 BSPT female) must be made with a rigid metal pipe. The pipe work and fittings shall be free from defects and of an approved type.



- ▶ Open the gas supply.



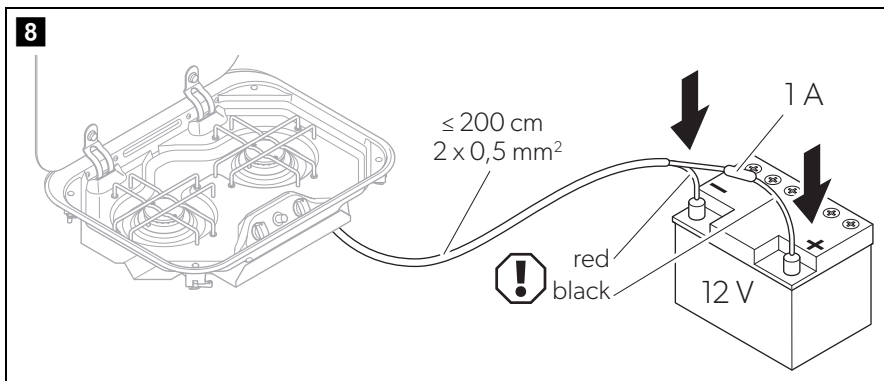
WARNING! Beware of injury!

Never check for leaks with an open flame or near sources of ignition.

- ▶ Check all connections for leaks with leak spray or soapy water. There are no leaks if no bubbles form.

6.4 Connecting the device to the power supply (PI8023)

- ▶ Connect the device as shown (fig. **8**).



- ▶ Add a 1 A fuse in the plus line near the battery.

6.5 Testing the device

- ▶ Ignite all burners both individually and concurrently to ensure correct operation of gas valves, burners and ignition.
- ▶ Turn gas taps to low flame position and observe the stability of the flame for each burner individually and concurrently.
- ✓ Depending on the type of gas used, the appearance of the flame is as follows:
 - Propane: Flame with blue centre and well-defined contour
 - Butane: Flame with light yellow tips when igniting the burner, gradually intensifying as the burner heats
- ▶ Ensure correct operation of the flame failure protection.

7 Using the device

7.1 Igniting a burner



WARNING! Beware of injury!

The complete ignition process must be visible from above and must not be hidden by pots placed on the stove.

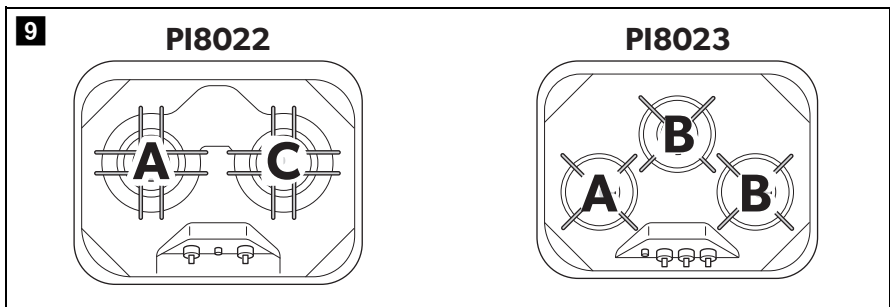


NOTICE!

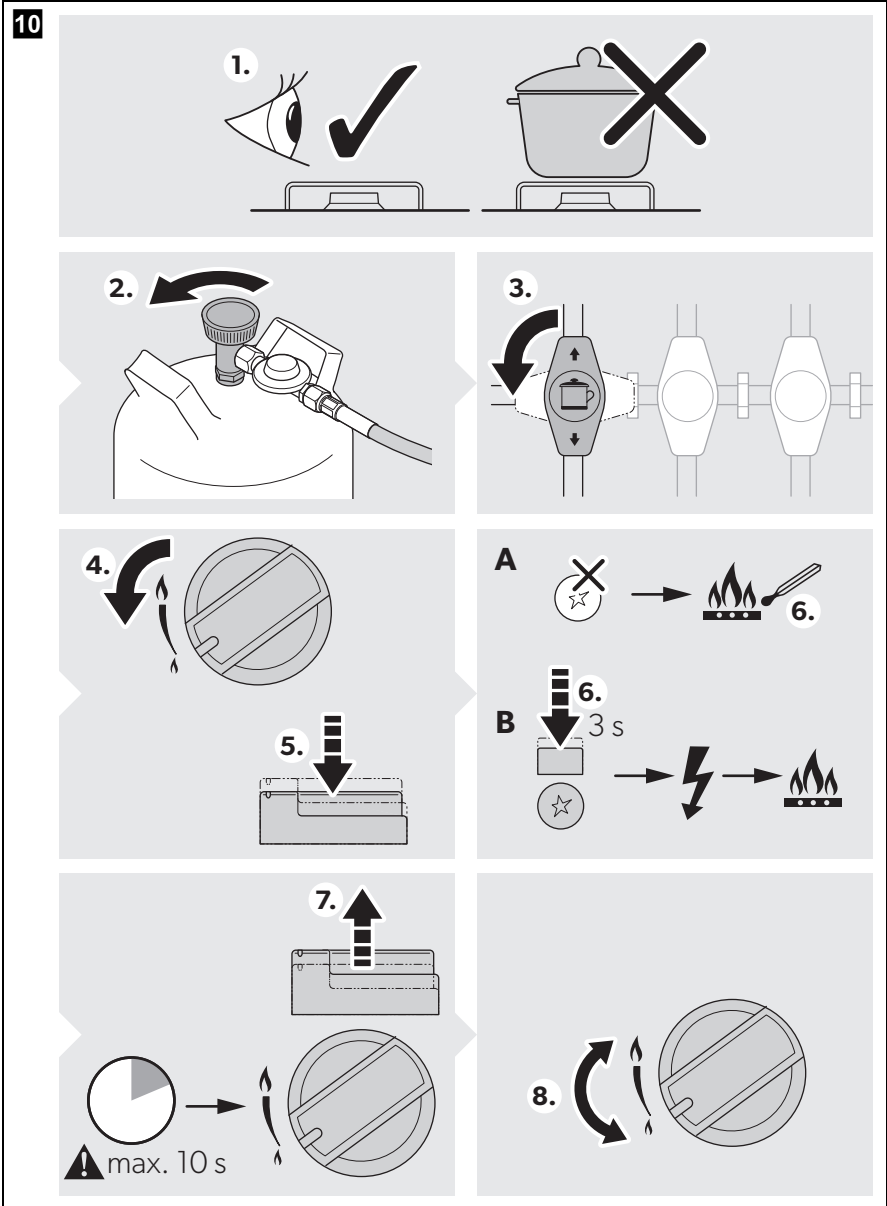
The flame must not extend beyond the edge of the pot. Centre the pot above the burner ensuring stability on the pot grid (see fig. 1, page 6).

► Choose a pot according to the following table:

Burner (fig. 9)	Pot diameter	
A	9 – 15 cm	
B	10 – 18 cm	
C	16 – 22 cm	

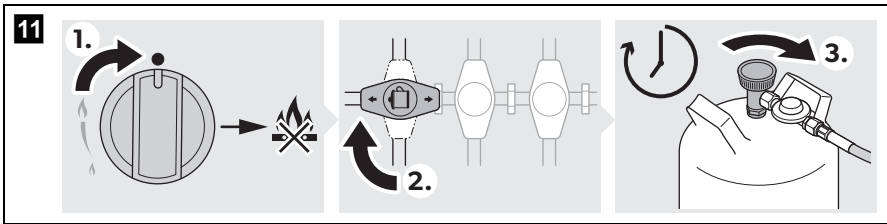


► Ignite a burner as shown (fig. 10).



7.2 Switching off the device

- Switch off the device as shown (fig. 11).



7.3 Replacing the gas cylinder



WARNING! Beware of injury!

Only replace the gas cylinder when there is good ventilation.
Make sure that there is no source of ignition nearby.
Only change the gas cylinder when the device is not in use and the gas supply to the device is switched off.

- Switch the device off by turning the knob to the zero setting.
- Close the valve on the gas cylinder.
- Replace the gas cylinder according to the instructions from the gas fitting manufacturer.

8 Cleaning the device



CAUTION! Hot surface!

The surface may still be hot. Keep children away.
Let the device cool down to ambient temperature before you touch it with bare hands.



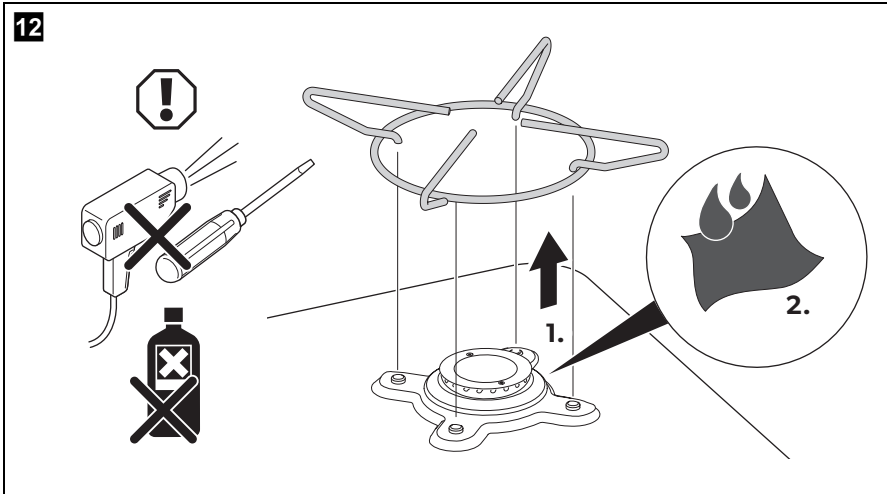
NOTICE!

Do not use any sharp or hard objects for cleaning since they may damage the device.
Only use standard commercial cleaning agents.
Do not use a steam cleaner to clean the device.

**NOTE**

When cleaning pay special attention to the burner to ensure there are no blockages.

- Clean the device as shown (fig. **12**).



9 Maintaining the device

9.1 Abnormal Operation

Gas valves, which are difficult to turn are considered to be abnormal operation and may require servicing.

- In case the device fails to operate correctly, contact the authorised service provider in your area.

9.2 Annual safety check

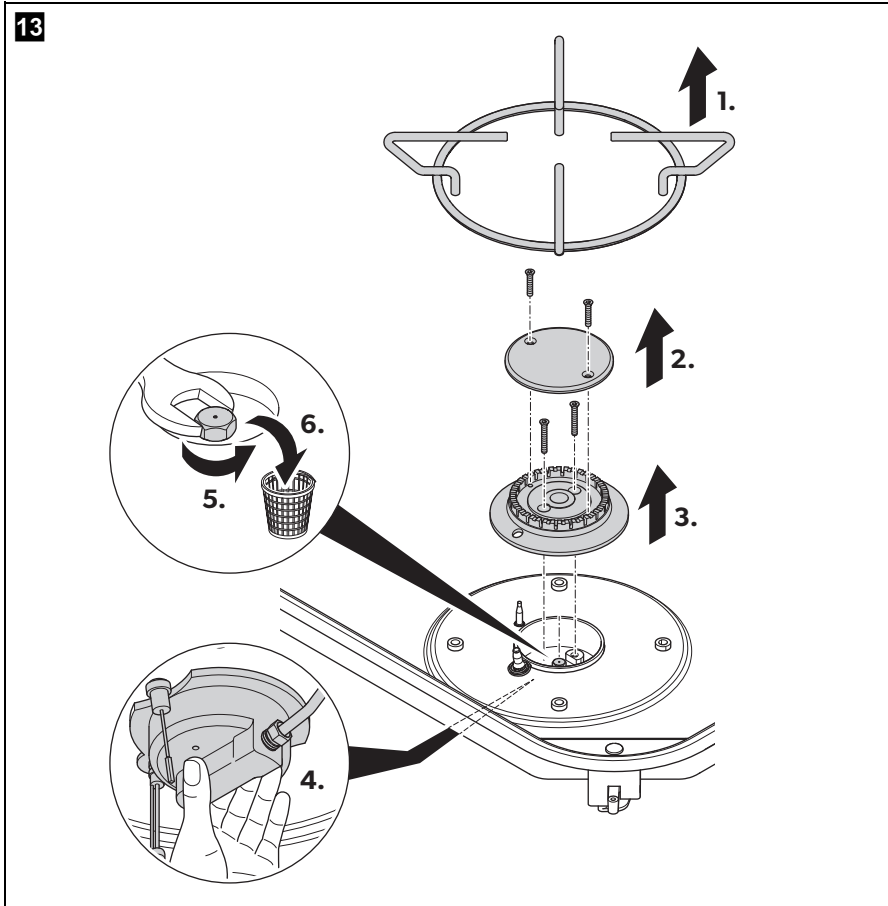
- For safety reasons, have the device checked by authorised personnel every year for proper function. Any defects must be repaired.

9.3 Replacing the nozzles

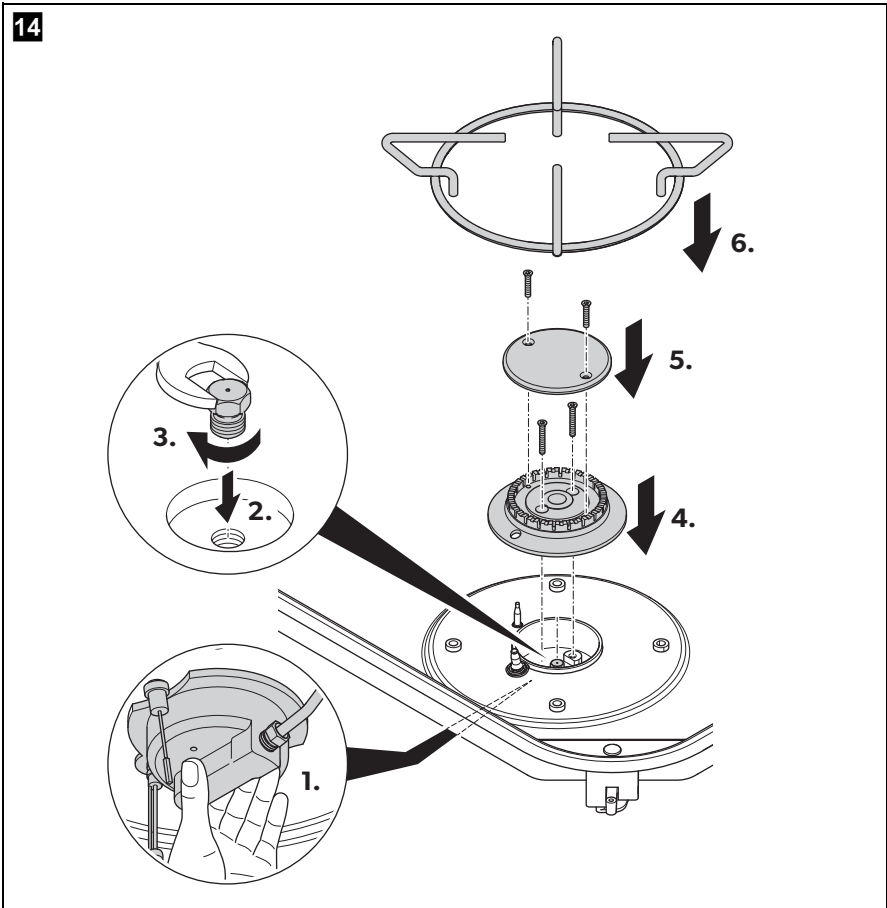
**WARNING! Beware of injury!**

The nozzles must only be replaced by authorised personnel. Incorrect assembly and installation can result in serious hazards due to the escape of gas.

- Replace the nozzles as shown:
 - Disassembly: fig. **13**



– Assembly: fig. **14**



10 Troubleshooting



WARNING! Beware of injury!

Servicing of the cooktop must only be done by an authorised personnel and the cooktop must not be modified. Power must be disconnected before any servicing or maintenance is concluded.

- Contact an authorised service representative if you observe one of the following abnormal conditions:
- Excessively yellow or sooting flame type
 - Flame lifting off the burnerports
 - Flame lighting back into the burner (normally associated with a popping sound)
 - Objectionable odour of the flames combustion products

Should a faulty condition develop in the cooktop that is not described above, refer to the following table first for possible causes and remedies prior to contacting an authorised service representative.

Fault	Possible cause	Remedy
No spark when gas control knob depressed	No power	Check if the device is plugged in and switched on.
	Loose sparker cable	Call authorised service representative.
	Burner not aligned properly	Remove and re-fit burner.
Burner not lighting when spark ignition working	Gas supply off	Check if the gas supply valve is on.
	Burner not aligned properly	Remove and re-fit burner.
	Burner ports blocked	Remove, clean and replace burner.
Burner goes out when control knob is released	Flame safeguard not activated	Re-light, allow more time for the flame safeguard to activate.
	Flame safeguard faulty connection or broken	Call authorised service representative.
Uneven flame pattern or slight flame lifting	Burner ports blocked	Remove, clean and replace burner.
At minimum flame setting the flame is too high	Turndown control setting incorrect	Call authorised service representative.

Fault	Possible cause	Remedy
Small flame on High setting	Regulator faulty	Call authorised service representative.
	Gas supply pressure low	Call authorised service representative.
	Incorrect injector fitted	Call authorised service representative.
	Blocked injector or gas supply tube	Call authorised service representative.
	Incorrect utensil size	Refer to operating instructions utensil choice.
Flame too high on High setting	Regulator faulty	Call authorised service representative.
	Incorrect injector fitted	Call authorised service representative.
	Incorrect utensil size	Refer to operating instructions utensil choice.

11 Warranty

If the product does not work as it should, please contact your retailer or the manufacturer's branch in your country (see dometic.com/dealer). The warranty applicable to your product is 3 year(s).

For repair and warranty processing, please include the following documents when you send in the device:

- A copy of the receipt with purchasing date
- A reason for the claim or description of the fault

Australia only

Our goods come with guarantees that cannot be excluded under the Australian Consumer Law. You are entitled to a replacement or refund for a major failure and for compensation for any other reasonably foreseeable loss or damage. You are also entitled to have the goods repaired or replaced if the goods fail to be of acceptable quality and the failure does not amount to a major failure.

New Zealand only

This warranty policy is subject to the conditions and guarantees which are mandatory as implied by the Consumer Guarantees Act 1993(NZ).


12 Disposal

- Place the packaging material in the appropriate recycling waste bins wherever possible.






If you wish to finally dispose of the product, ask your local recycling centre or specialist dealer for details about how to do this in accordance with the applicable disposal regulations.

13 Technical data

	Cooktop
Gas category:	ULPG
Gas connecting pressure:	2.75 kPa
Connection voltage (PI8023):	12 V $\overline{=}$ (1 A fuse)
Inspection/certification:	

See fig. **9**, page 15:

Model	Burner A 		Burner B 		Burner C 	
	Injector mm	Power MJ/h	Injector mm	Power MJ/h	Injector mm	Power MJ/h
PI8022	0.57	4	–	–	0.74	6.5
PI8023	0.57	4	0.69	5.8	–	–

Mobile living made easy.



dometic.com

**YOUR LOCAL
DEALER**

dometic.com/dealer

**YOUR LOCAL
SUPPORT**

dometic.com/contact

**YOUR LOCAL
SALES OFFICE**

dometic.com/sales-offices

A complete list of Dometic companies, which comprise the Dometic Group, can be found in the public filings of:
DOMETIC GROUP AB Hemvärnsgatan 15 SE-17154 Solna Sweden